

Like Button

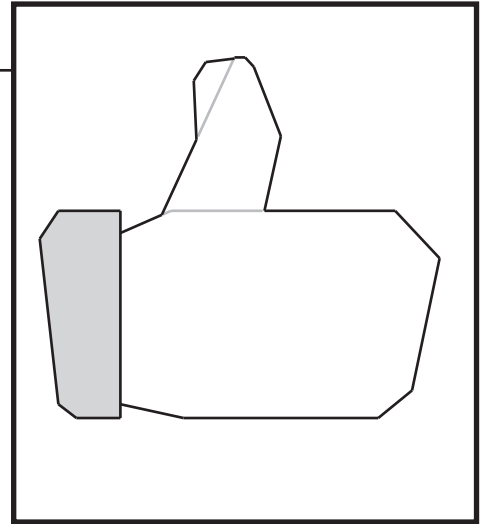
Tadashi Mori

facebook.com/tadashiorigami

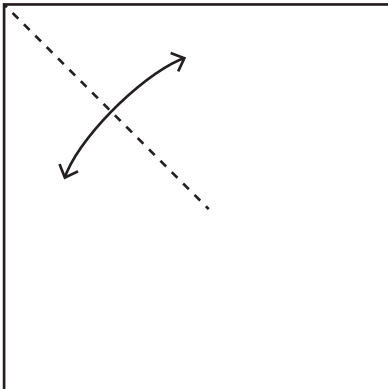
youtube.com/tadashimori

origamiyard.com

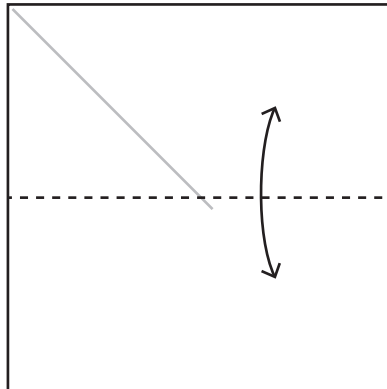
Recommended paper: Kami paper, or any other blue and white paper.



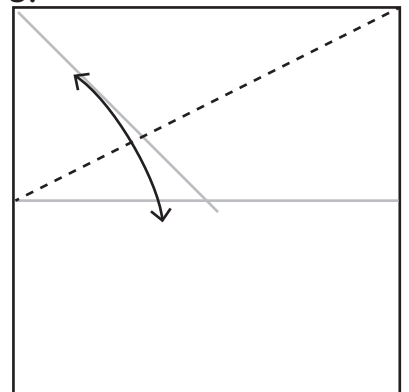
1.



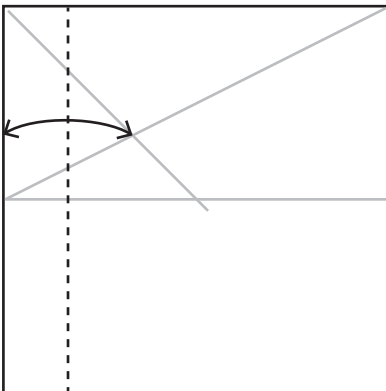
2.



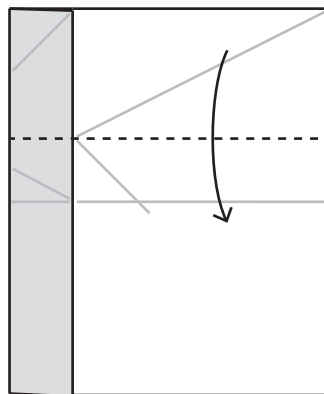
3.



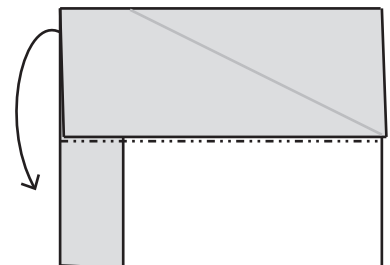
4.



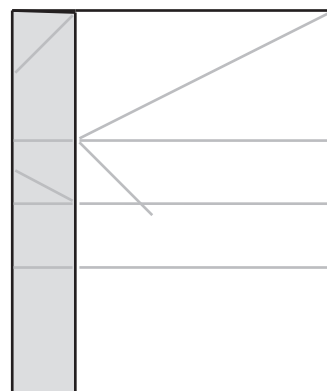
5.



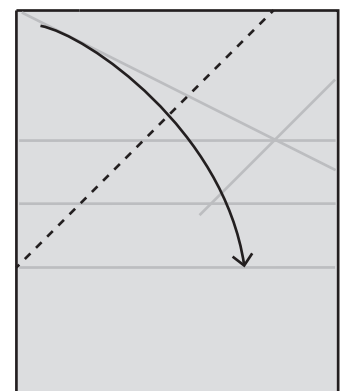
6.



8.



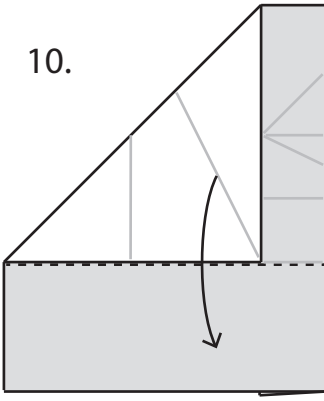
9.



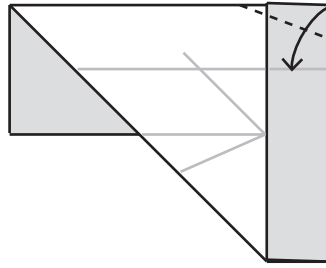
7. Unfold the last two folds.



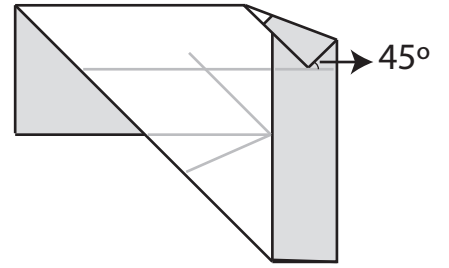
10.



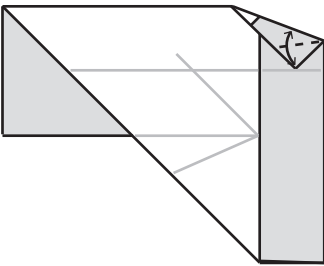
11.



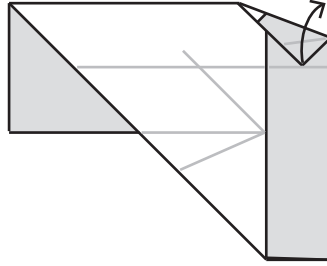
12.



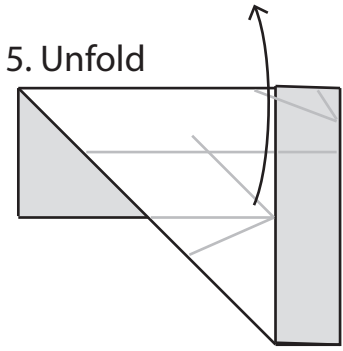
13.



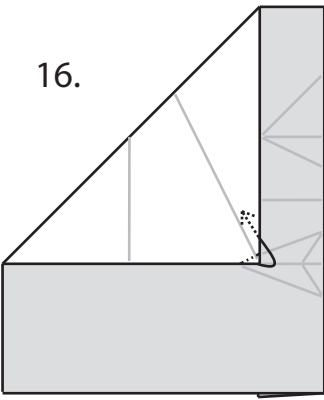
14.



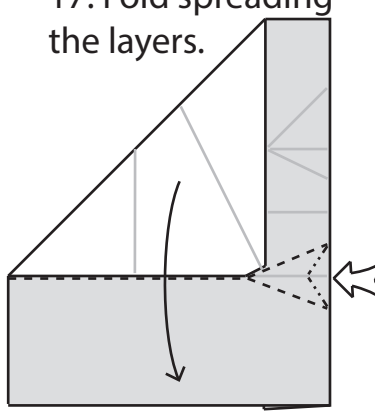
15. Unfold



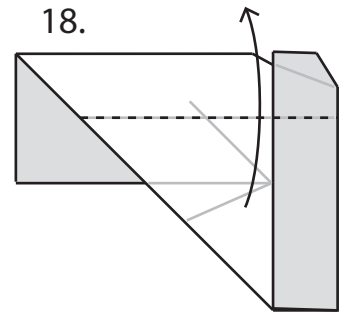
16.



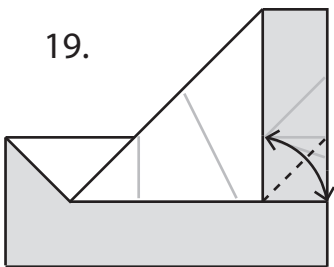
17. Fold spreading the layers.



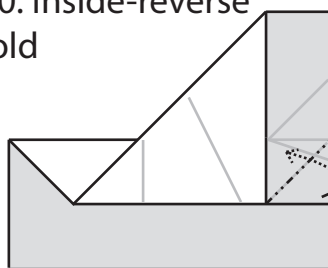
18.



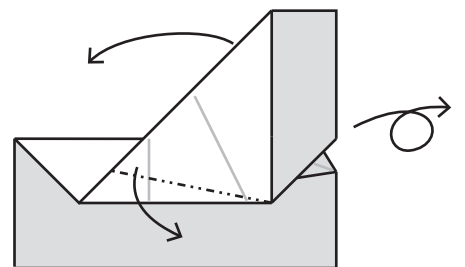
19.



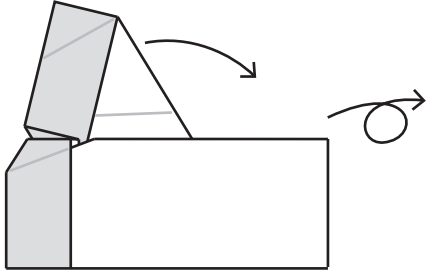
20. Inside-reverse fold



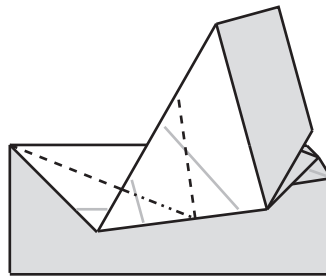
21. Slide the top layer in this direction.



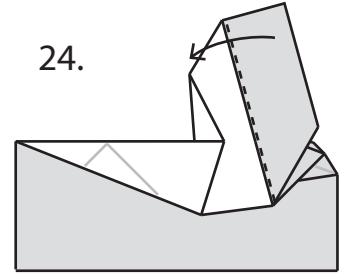
22. The other side should look like this.



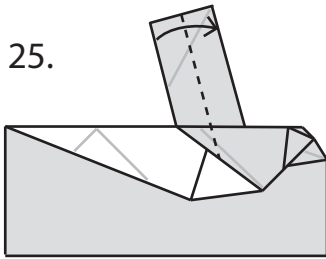
23.



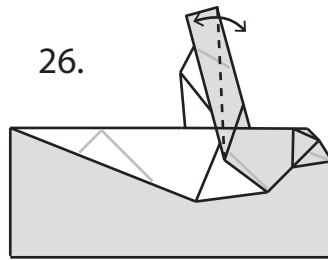
24.



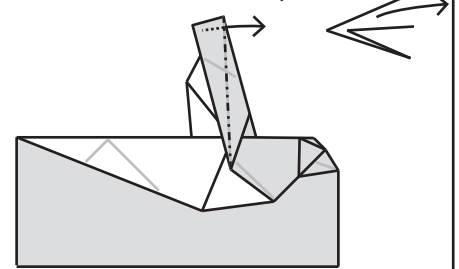
25.



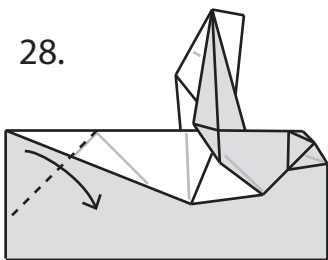
26.



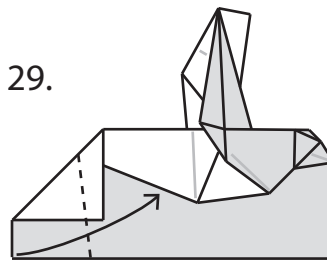
27. Inside-reverse fold in the indicated layer.



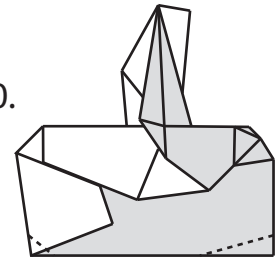
28.



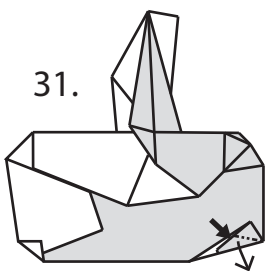
29.



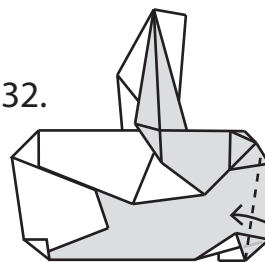
30.



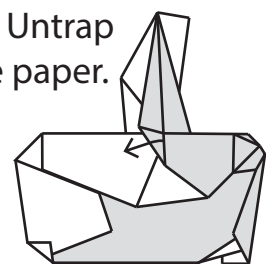
31.



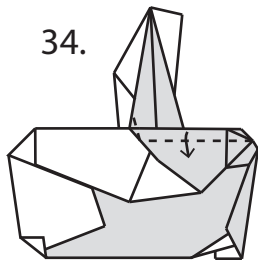
32.



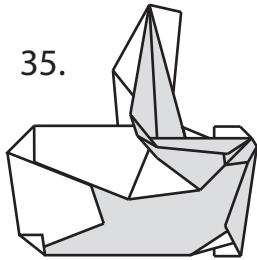
33. Untrap the paper.



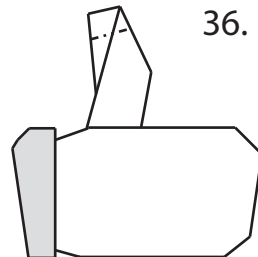
34.



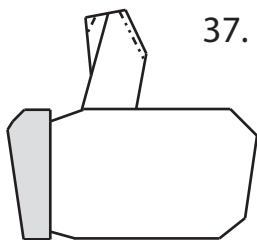
35.



36.



37.



38. Done!

